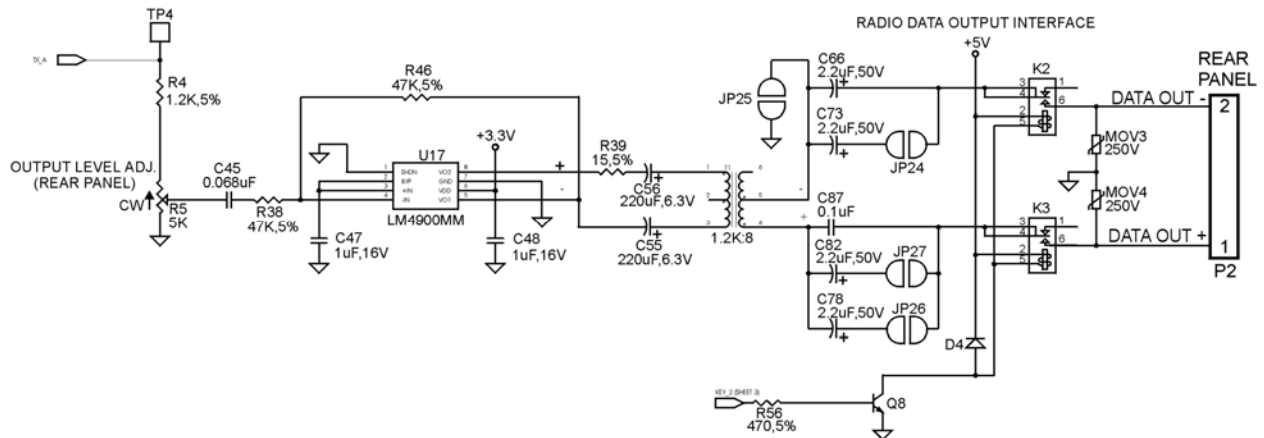


Data Output

Data output is the signal out of the C Plus. Data Out + is the high side and Data Out - is the low side. Data output is jumper selectable for single ended or balanced configurations. In non-balanced configurations, Data Out - is referenced to ground. However, note that it is not directly shorted to ground. In balanced systems, it is signal return. Always attach an independent station ground to the rear panel P3 pin 8 or P2 pin 10.



Isolation:

The output is capacitively coupled for DC blocking, is MOV protected and is completely isolated by relays when not actively encoding. When interfacing to a radio, connection should be after preemphasis.

Additional Information:

If connected to a balanced line, remove ground jumper JP-25. For 600 ohm operation, add jumpers JP-24 and JP-27.

Data output must be adjusted to ensure that the radio is not clipping the data because of limiter circuits and that it is not over deviating. Data deviation should be just slightly below voice deviation. Rear panel potentiometer R5 is available to adjust amplitude.

The Self-Test command `$$KEYT` is used for setting outbound data deviation. This command keys the C Plus and sends data for 10 seconds in the signaling format currently in operation.

See Also:

Self Tests

Encode Capability

Operating with a Cimarron CDT

Communicating with the C Plus using Hyperterm